



## Honda Civic 2022-2024

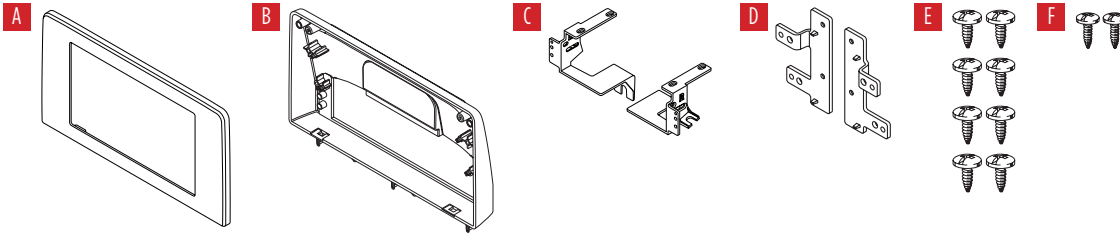
Visit [MetraOnline.com](https://www.metraonline.com) for more detailed information about the product and up-to-date vehicle specific applications

### KIT FEATURES

- Designed specifically for Pioneer modular 6.8" radios like the DMH-C2550NEX and DMH-WC5700NEX.
- †† Refer to the radio manufacturer for current models
  - Requires the Pioneer extension cable (sold separately)
  - Textured and painted to match the factory finish.

### KIT COMPONENTS

- A) Radio display front panel • B) Radio display back panel • C) • Radio chassis brackets • D) Radio display brackets
- E) #8 x 3/8" Phillips screws (8) • F) #4 x 3/8" Phillips screws (2)



### TABLE OF CONTENTS

Dash Disassembly .....	2
Kit Assembly .....	3

### WIRING & ANTENNA CONNECTIONS (sold separately)

- Visit [metraonline.com](https://www.metraonline.com) for audio/video and steering wheel control interface options.
- Wire harness: AXTC-HN1  
Antenna adapter: 40-HD11

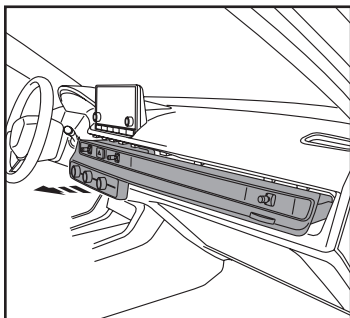
### TOOLS REQUIRED

- Panel removal tool • Phillips screwdriver

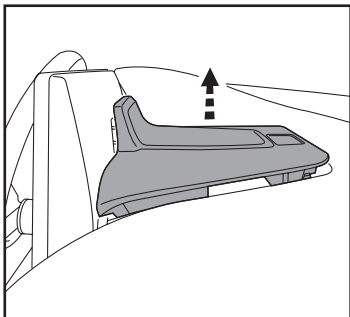
**Attention!** With the key out of the ignition, disconnect the negative battery terminal before installing this product. Ensure that all installation connections are secure before cycling the ignition to test this product.

## DASH DISASSEMBLY

1. Unclip and remove the trim panel below the radio screen that includes the A/C control and A/C vents. (Figure A)
2. Unclip and remove the trim panel from the top of the dash behind the radio screen. (Figure B)



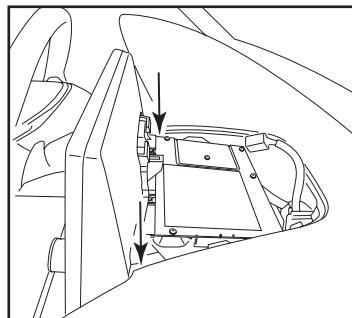
(Figure A)



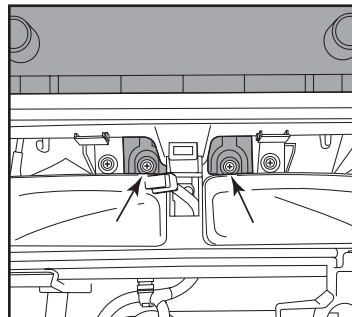
(Figure B)

3. Remove (2) Phillips screws under trim panel on top of dash behind radio screen. (Figure C)
4. Remove (2) Phillips screws securing the radio and screen then unclip and remove the assembly from the dash. (Figure D)

*Continue to Kit Assembly*



(Figure C)



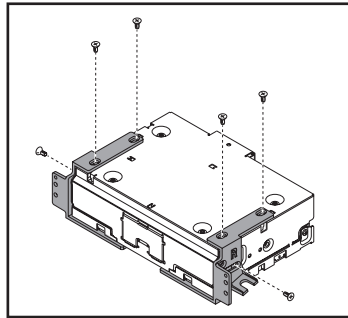
(Figure D)

## KIT ASSEMBLY

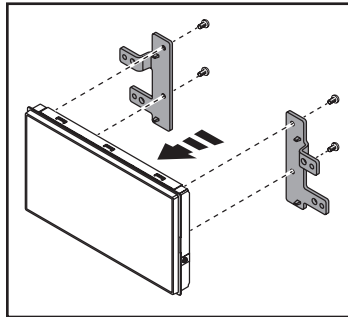
1. Place the three factory panel clips onto the bottom of the **radio display back panel**

**Note:** For steps 2 and 3, reference the installation manual provided with the radio for which hardware to use. The display screen and radio chassis use two different types of screws.

2. Secure the **radio chassis brackets** to the radio chassis using (6) screws supplied with the radio. (4 on top one each side) (Figure A)
3. Secure the **radio display brackets** to the radio display using (4) screws supplied with the radio. (Figure B)
4. Route cable from chassis through **radio display back panel** and plug into radio display.
5. Secure radio display assembly to the **radio display back panel** using (4) of the supplied #8 screws. (Figure C)

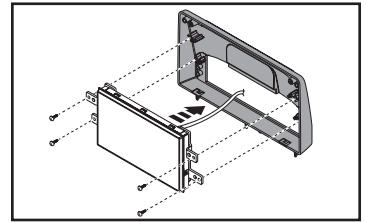


(Figure A)

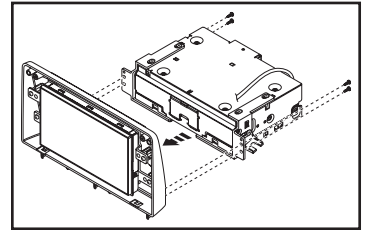


(Figure B)

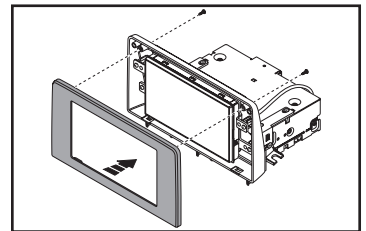
6. Secure the radio chassis to the back of the **radio display front panel** using (4) of the supplied #8 screws. (Figure D)
7. Clip the bottom of the **radio display front panel** to the **radio display back panel** and secure using (2) of the supplied #4 x 3/8" Phillips screws. (Figure E)
8. Locate the factory wiring harness and antenna connector in the dash and complete all necessary connections to the radio. Metra recommends using the proper mating adapter from Metra and/or Axxess. Test the radio for proper operation.
9. Clip the radio assembly into to the dash, then secure using the factory screws.
10. Reassemble the dash in reverse order of disassembly to complete the installation.



(Figure C)



(Figure D)



(Figure E)



# 107-H01

INSTALLATION INSTRUCTIONS



Having difficulties? We're here to help.



Contact our Tech Support line at:

**386-257-1187**



Or via email at:

[techsupport@metra-autosound.com](mailto:techsupport@metra-autosound.com)

### Tech Support Hours (Eastern Standard Time)

Monday - Friday: 9:00 AM - 7:00 PM

Saturday: 10:00 AM - 5:00 PM

Sunday: 10:00 AM - 4:00 PM



**Metra recommends MECP  
certified technicians**