



6. Connect all required circuit points
Place the Alpine 8 inch unit in dash board and fix it with 2 OEM Torx screws



7. Connect switches and place facia plate to finish installation

This kit can be used for cars which were equipped with the following factory radios:

- Chorus Gen.II+
- Concert Gen.II+
- Symphony II
- Symphony II+
- RNS-E
- RNS-low (BNS 5.0)

If the car was equipped with a 1 DIN radio like Radio Chorus II, Concert II or Symphony II, you need to change the center console to 2 DIN.

Your Audi partner can support you.



Installation Manual Alpine 8 inch Kit

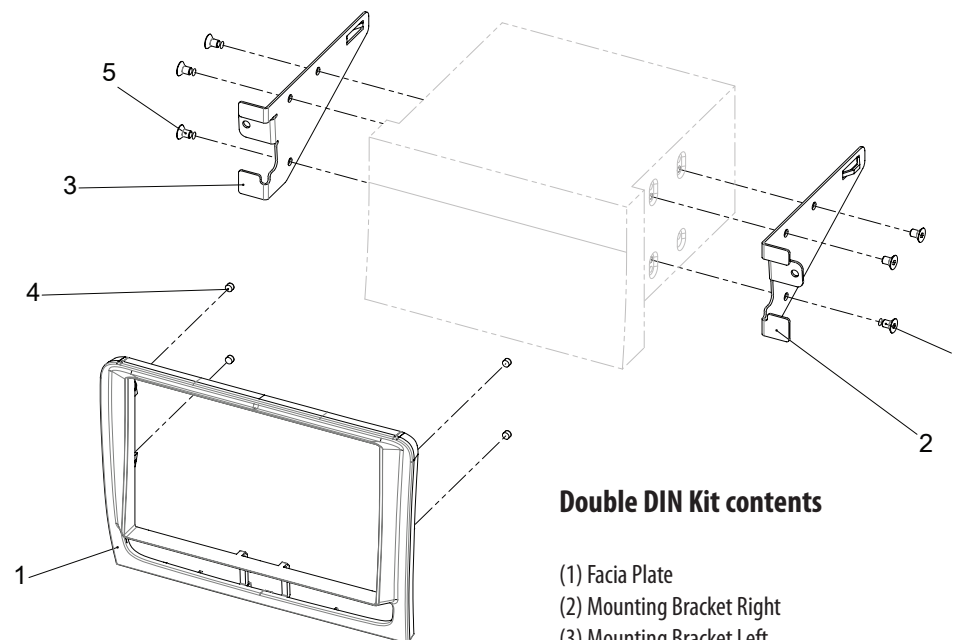
- Audi A3 (8P) 07/2008 – 01/2010
(with single switch panel)

colour / part-no.:
black: 381320-85-1



Compatible with these Alpine navigation devices

Alpine 8 inch

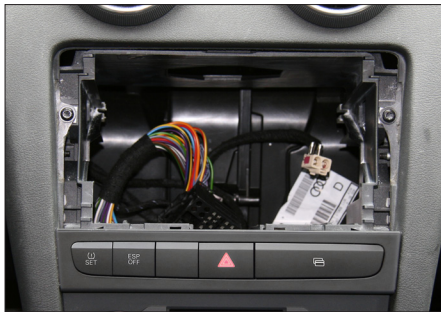


Double DIN Kit contents

- (1) Facia Plate
- (2) Mounting Bracket Right
- (3) Mounting Bracket Left
- (4) Magnet
- (5) Hexagon Socket Countersunk Flat Head Screw



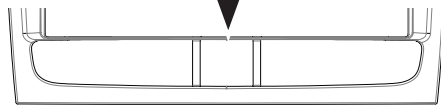
1. Put four radio release keys in the appropriate slots of the OEM radio



2. Remove OEM head unit by pulling it towards your direction



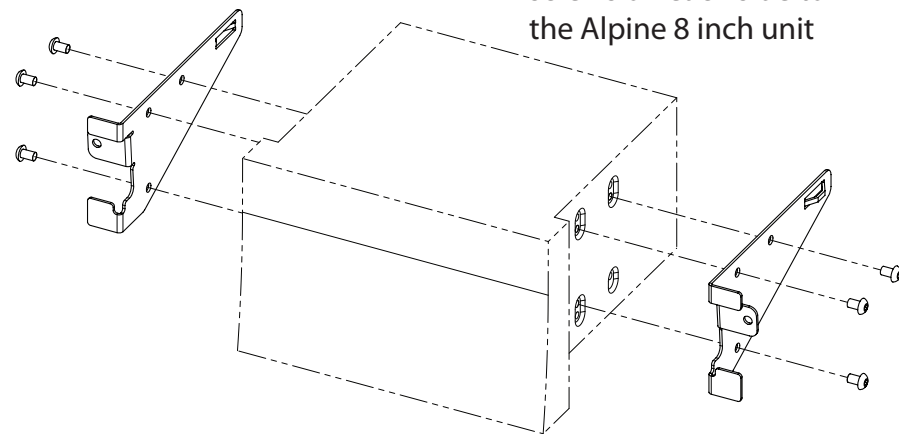
Switch panel (sample)



Facia Plate

3. Remove switch panel. Remove all switches and put them into the new facia plate

4. Attach metal mounting brackets to with 3 flat headed screws on each side to the Alpine 8 inch unit



5. Remove OEM Torx screws (see arrows)
Cut away plastic (see white lines) to clear space for Alpine 8 inch

