

Installation Manual Double DIN Kit



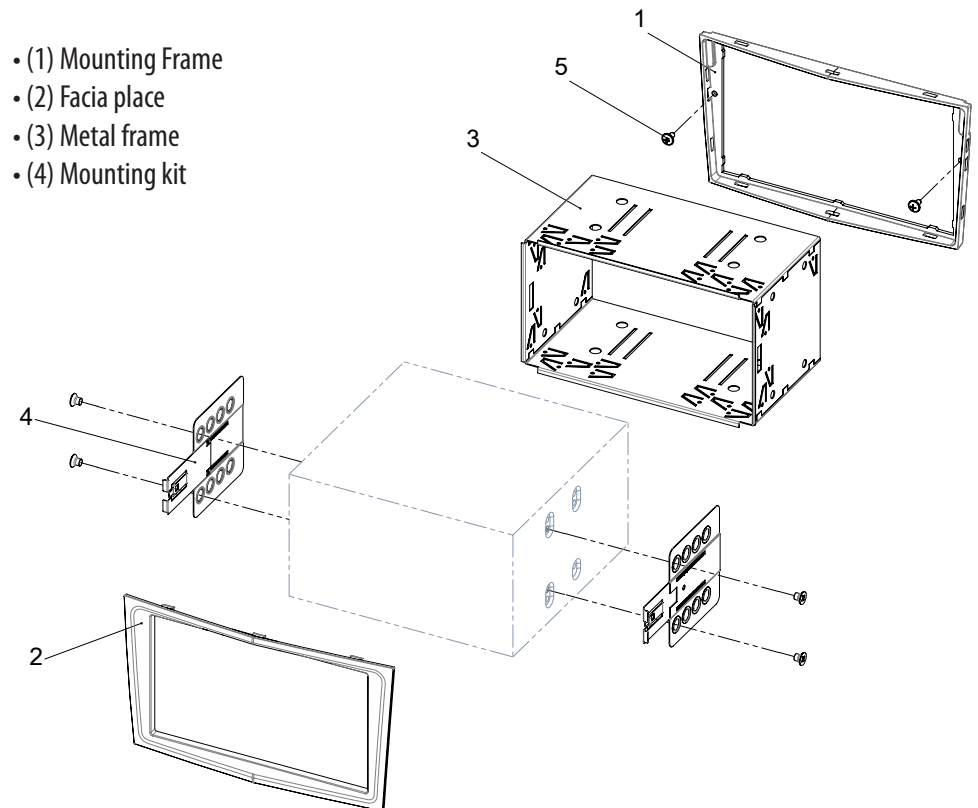
- Opel Agila 2000-2007
- Opel Combo C 2001-2011
- Opel Corsa C 2000->2006
- Opel Meriva 2003-2010
- Opel Omega B 2000-2003
- Opel Signum 2003-2008
- Opel Tigra Twin Top 2004-2009
- Opel Vectra C 2002-2008
- Opel Vivaro 2001-2010

381230-26-1	black
381230-26-2	charcoal-metallic
381230-26-3	matt-chrom
381230-26-4	aluminium
391230-26-1	charcoal (rubber-touch)

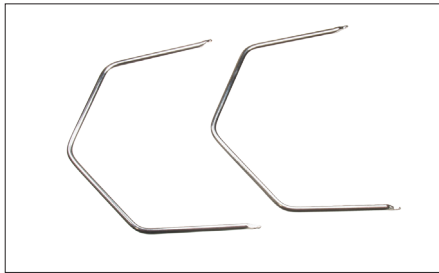
Compatible with these devices

Double-DIN Navigation

- (1) Mounting Frame
- (2) Facia place
- (3) Metal frame
- (4) Mounting kit



Installation Manual Double DIN Kit Opel

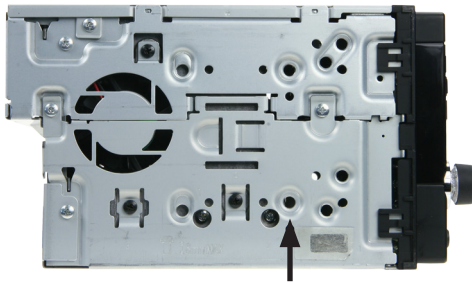


1. Radio release keys are required for OEM radio removal

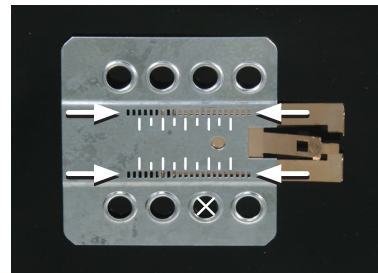


2. Put the radio release keys in the holes of OEM radio (see arrows)

Remove OEM radio by pulling it towards your direction



Mount the metal brackets to double DIN head unit



The position of the copper coloured holder can be adjusted to your needs for perfect fit. (see sample)



3. Place mounting frame on dashboard
Fix mounting frame with 4 screws

Push metal frame into mounting frame



4. Push the metal frame into the mounting frame

Connect all required circuit points, place double DIN navigation

Place fascia plate