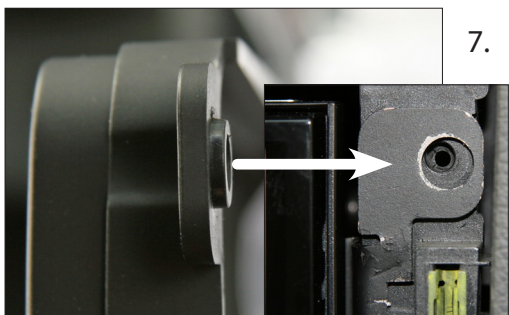


5. **If necessary** : Rasp hexagonal pocket to AF44 in order to use hexagonal bar AF43,6



6. Connect all required circuit points  
Push Alpine INE-W928R into dash board.

**Golf VI only:** Fix screws on top



7. Place fascia plate

*Put dome of fascia plate exactly over the holes of mounting frames (see arrow)*

Fix fascia plate with 4 screws



8. Place OEM panel over fascia plate to finish installation.



## Installation Manual INE-W928R Kit

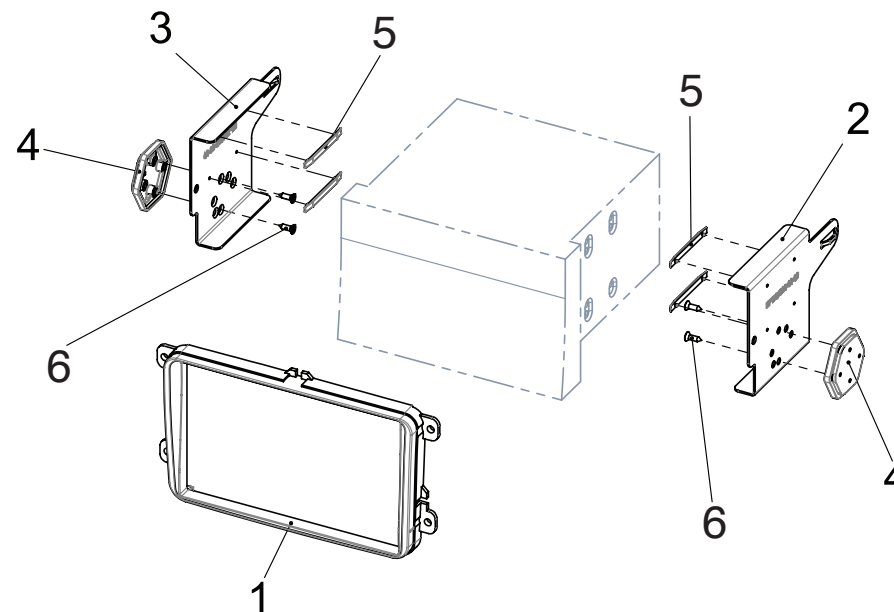
colour: black

- VW Eos
- VW Golf V / VI
- VW Jetta V / VI
- VW Passat / Passat CC
- VW Polo 6R
- VW Scirocco

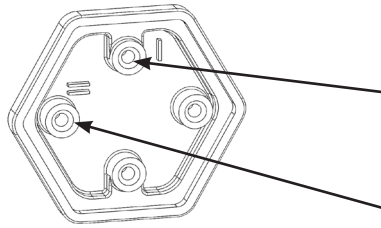
part-no.:  
APF-F381320-80-1VW

Compatible with these Alpine navigation devices

**INE-W928R**



- (1) fascia plate
- (2) mounting bracket right
- (3) mounting bracket left
- (4) hexagonal bar (AF43,6) / (AF37,2)
- (5) slider
- (6) countersunk flat head tapping screw

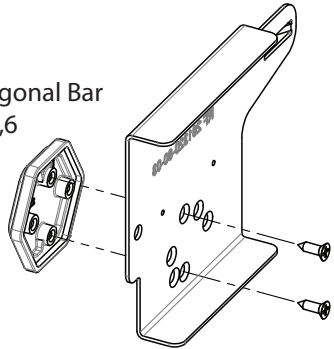


Hexagonal Bar

standard unit position :  
screw position I

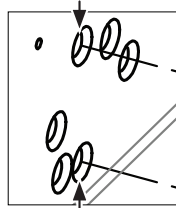
alternative unit position :  
screw position II

Hexagonal Bar  
AF43,6

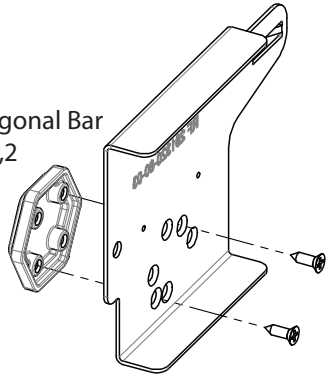


5.

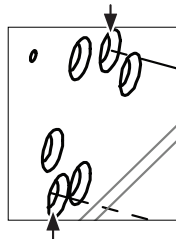
VW Golf V  
VW Golf VI  
VW Jetta V  
VW Jetta VI  
VW Passat



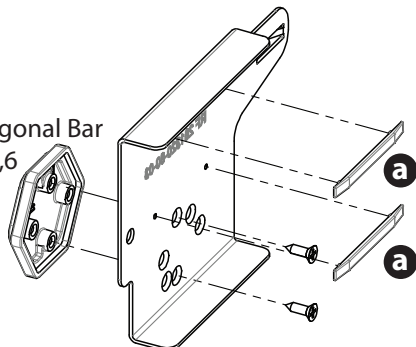
Hexagonal Bar  
AF37,2



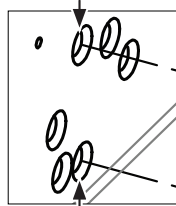
VW Polo 6R



Hexagonal Bar  
AF43,6



VW Eos  
VW Scirocco



fix sliders (a) with glue

All installation work must be performed by a qualified professional installer only.  
The manufacturer / dealer is not liable for any kind of incidental or indirect damages.



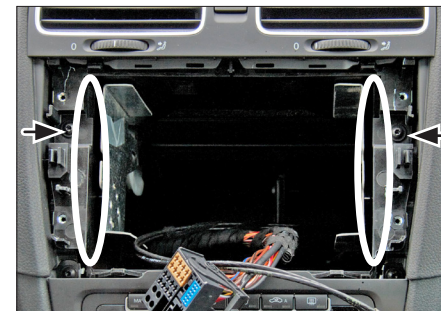
1. Unclip and remove OEM panel



2. Remove 4 screws of OEM head unit



3. Remove OEM head unit



4. Put mounting frames in dash board.  
**Golf VI only:** Release screws on top (see arrows) in order to clear space for Alpine INE-W928R  
**If necessary:** Cut away plastic to clear space for Alpine INE-W928R