



9. Cut away plastic to clear space for Alpine INE-W928R



10. Connect all required circuit points  
Fix Alpine INE-W928R on dashboard



11. Remove hazard light switch (1) from OEM head unit - attach it to double DIN fascia plate

Remove upper instrumental panel (2) - attach it to double DIN fascia plate

Fix clips to double DIN fascia plate

Place double DIN fascia plate

Reinstall everything in reverse order to finish installation



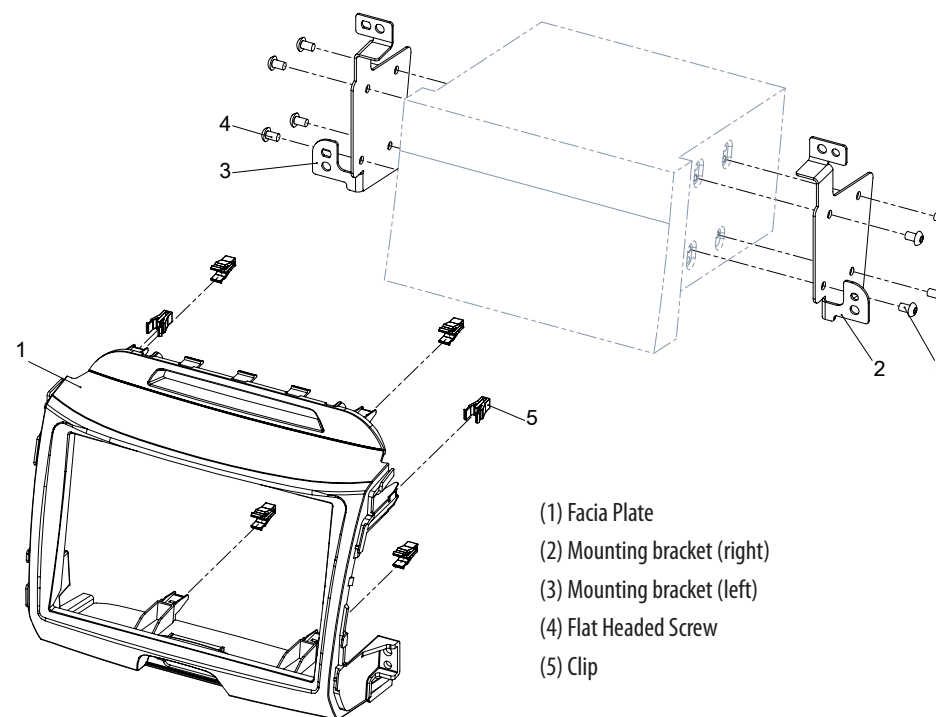
## Installation Manual INE-W928R Kit

• Kia Sportage III 2010->

colour / part-no.:  
black: 381178-80-1  
grey: 381178-80-2

Compatible with these Alpine navigation devices

**INE-W928R**

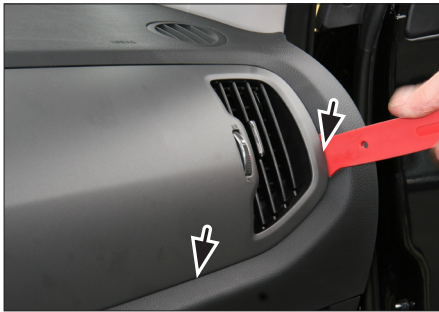


- (1) Facia Plate
- (2) Mounting bracket (right)
- (3) Mounting bracket (left)
- (4) Flat Headed Screw
- (5) Clip

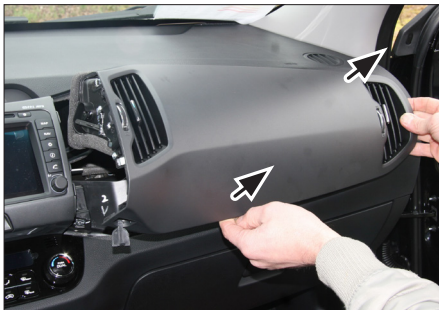
All installation work must be performed by a qualified professional installer only.  
The manufacturer / dealer is not liable for any kind of incidental or indirect damages.



1. Remove screws of OEM head unit (left and right)



2. Unclip right side panel



3. Remove right side panel by pulling it towards your direction



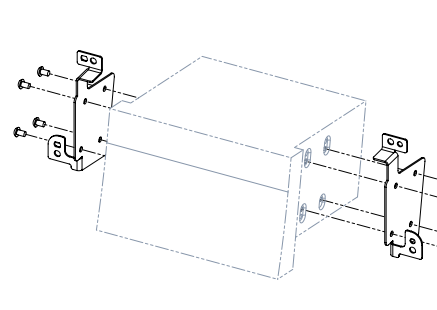
4. Unclip left side panel



5. Remove left side panel by pulling it towards your direction



6. Remove screws of OEM head unit  
Remove OEM head unit



7. Attach metal mounting brackets to Double-DIN Navigation



8. Bend down metal bar (see arrows) in order to clear space for Alpine INE-W928R