



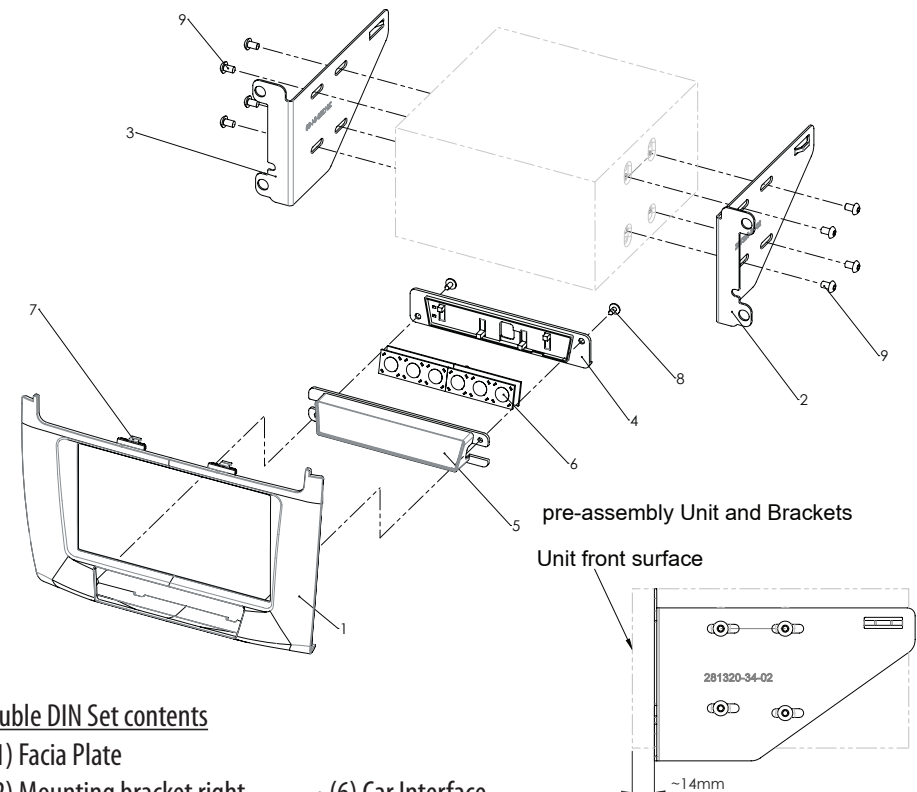
Installation Manual Double DIN Kit

colour	2-DIN	2-DIN with pocket
black	381320-34-1	281320-34-1
piano-black	381320-34-2	281320-34-2

VW Polo (6C - facelift 6R) 04/2014->

Compatible with Double-DIN devices:

Double-DIN Navigation



Double DIN Set contents

- (1) Facia Plate
- (2) Mounting bracket right
- (3) Mounting bracket left
- (4) Cover
- (5) Housing
- (6) Car Interface
- (7) Sheet Metal Clamp
- (8) Self tapping screw with collar
- (9) Flat headed screw

Installation Manual Double DIN Kit



1. Unclip OEM panel (see arrows)



2. Remove OEM panel



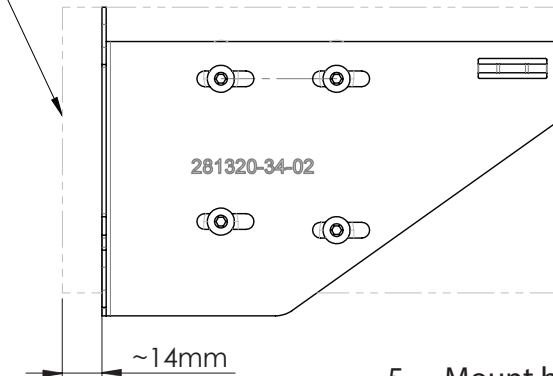
3. Remove screws of OEM head unit (see arrows)



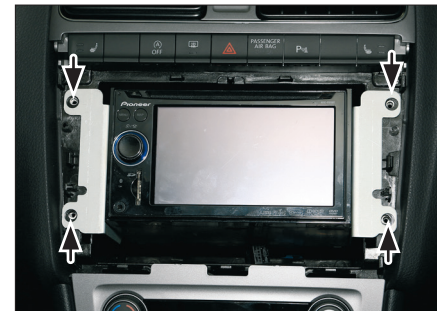
4. Unplug all cables carefully
Remove OEM head unit

pre-assembly Unit and Brackets

Unit front surface



5. Mount brackets to Double-DIN head unit as shown in the drawing



6. Connect all required circuit points.

Place Double-DIN head unit on dashboard and fix it with OEM screws (see arrows)



7. Place facia plate to finish installation

All installation work must be performed by a qualified professional installer only.
The manufacturer / dealer is not liable for any kind of incidental or indirect damages.