



7. Connect all required circuit points and push double DIN head into dash board

Reinstall everything in reverse order to finish installation.

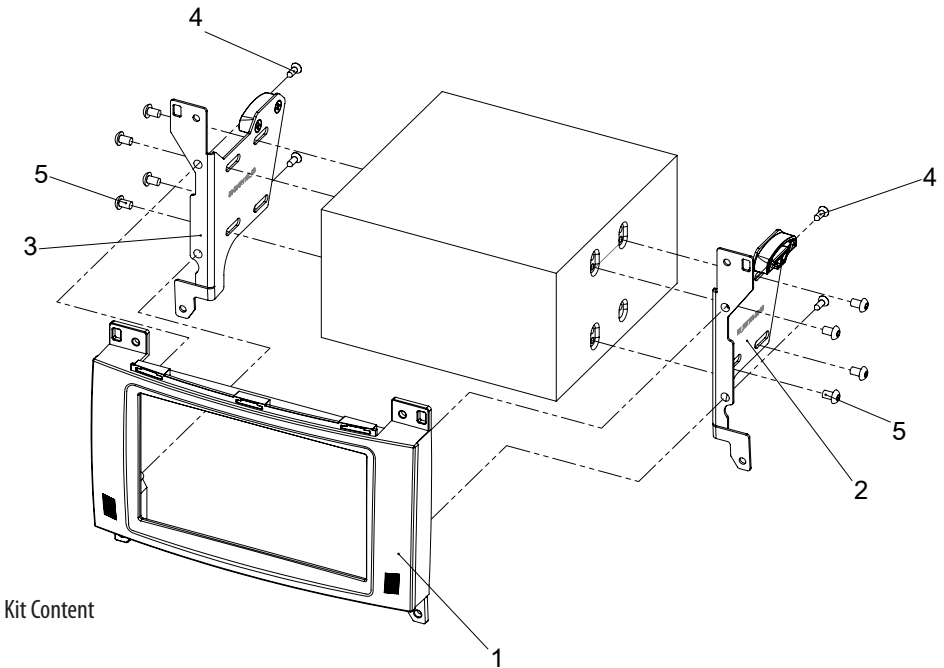


## Double-DIN Kit Installation Manual

black: 381190-37-1  
rubber-touch: 381190-37-2

- Mercedes A-Class (W169) 10/2004 - 04/2012
- Mercedes B-Class (T245) 06/2005 - 06/2011

Compatible with Double DIN devices



Kit Content

- (1) facia plate  
 (2) mounting bracket right  
 (3) mounting bracket left  
 (4) countersunk flat head tapping screw  
 (5) flat headed screw

*All installation work must be performed by a qualified professional installer only.  
 The manufacturer / dealer is not liable for any kind of incidental or indirect damages.*



1. Insert pulling hooks into air vent catches. Pull out air vents



2. Disconnect plugs for hazard light switch



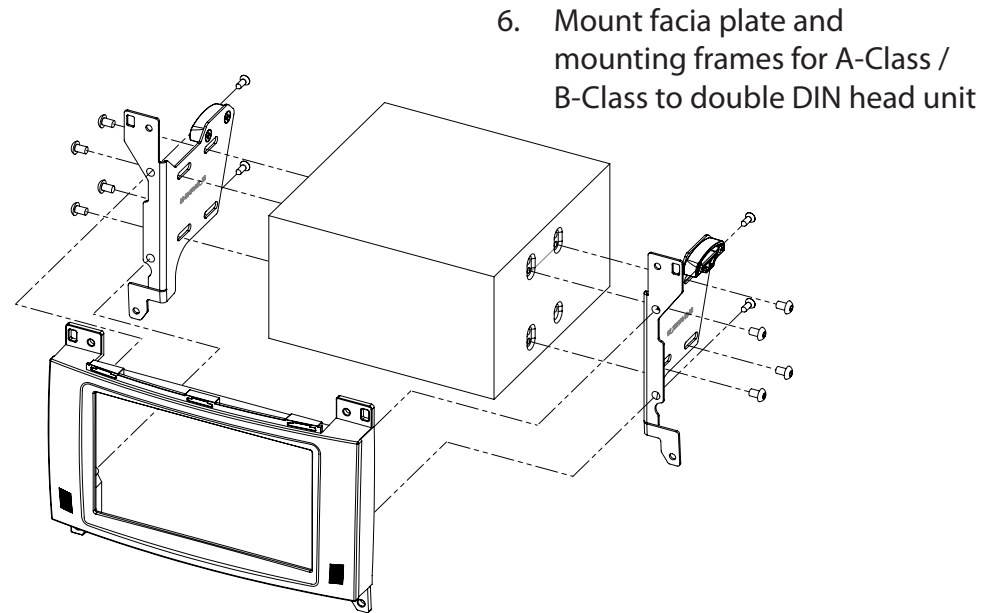
3. Remove air vents completely



4. Unclip and remove lower panel



5. Remove four torx screws  
Remove OEM head unit



6. Mount facia plate and mounting frames for A-Class / B-Class to double DIN head unit