



Land Rover Range Rover 2003-2007 / Range Rover 2008-2012 *

* Shallow mount radios only

KIT FEATURES

- ISO DIN radio provision with pocket
- ISO DDIN radio provision
- Painted black

KIT COMPONENTS

- A) Radio trim panel • B) Radio brackets • C) Radio bracket adapters • D) Pocket • E) (4) #8 x 3/8" Phillips screws
- F) (4) #8 x 1/2" Phillips screws • G) (4) Panel clips

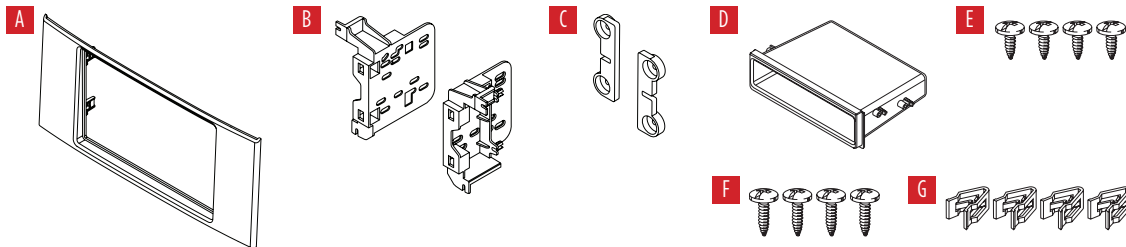


TABLE OF CONTENTS

Dash Disassembly	2
Kit Preparation	3
Kit Assembly	
–ISO DIN radio provision with pocket	4
–ISO DDIN radio provision.....	5

WIRING & ANTENNA CONNECTIONS (sold separately)

Wiring Harness: TBA

Antenna Adapter: 40-EU10

TOOLS REQUIRED

- Panel removal tool • Phillips screwdriver
- Torx T10 & T20 screwdriver • Cutting tool
- 8mm socket wrench

CAUTION! All accessories, switches, climate controls panels, and especially air bag indicator lights must be connected before cycling the ignition. Also, do not remove the factory radio with the key in the on position, or while the vehicle is running.

DASH DISASSEMBLY

1. Open both front doors, then unclip and remove the panels on the left and right side of the dashboard.
 2. Remove (2) Torx T20 screws from each side which are securing the a/c vent panels to the dashboard.
 3. From inside the dashboard cavity on the passenger side, remove (1) 8mm screw securing the cupholder, if applicable. Slide the cupholder out and remove it.
 4. Unclip and remove the a/c vents from each side of the dashboard. The (4) clips can be accessed on the inside of the a/c vents (2 on the left, 2 on the right).
 5. Remove (1) Torx T20 screw from inside the a/c vent cavity, then unclip, unplug, and remove the a/c vent panels from each side of the dashboard.
 6. Remove (1) Torx T20 screw from each side of the dashboard top panel.
 7. Unclip and remove the speaker grille from the top of the dash, then remove (2) Torx T20 screws. The grille has clips in the front, and hinges in the rear.
 8. Remove the dashboard top panel:
 - a. **2003-2007:** Remove (7) Torx T20 screws securing the dashboard top panel, then remove the panel by sliding it back and up. Unplug the center channel speaker, if applicable.
 - b. **2008-2012:** Attention! The passenger airbag is installed to the underside of the dashboard top panel. Refer to airbag removal instructions before proceeding.
 1. Unclip and remove the dashboard top panel a/c vent, then remove (2) Torx T20 screws.
 2. Remove (4) Torx T20 screws securing the dashboard top panel, then remove the panel by sliding it back and up (take extreme caution handling the airbag).
 3. Unplug the center channel speaker, if applicable.
 9. Remove (6) Torx T20 screws securing the radio assembly to the sub-dash, (4) screws on the top, and (2) screws hidden in the cavity behind the side trim panels facing down. Do not pull on the side trim panels, they are screwed in.
 10. Unplug and remove the radio assembly.

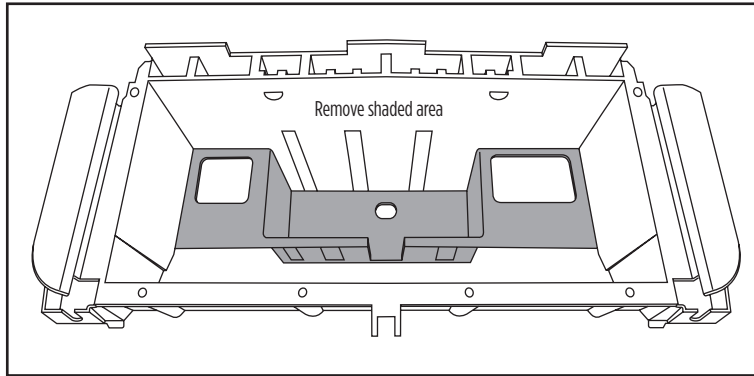
Note: *These vehicles utilize a radio tuner brain which is located elsewhere in the vehicle.*
- ### Airbag removal (2008-2012 models only)
1. Disconnect both battery cables, disconnecting the ground cable first, and wait at least 10 minutes before disconnecting the airbag.
 2. Remove (3) screws securing the bottom of the lower glove box.
 3. Open the lower glove box to the service position, then remove (8) screws.
 4. Unplug and remove the lower glove box.
 5. Remove (2) screws securing the bottom of the upper glove box.
 6. Open the upper glove box, remove (3) screws securing the upper glove box trim, then remove.
 7. Remove (3) screws securing the top of the upper glove box, then unplug and remove.
 8. Remove (2) screws securing the airbag, then unplug the airbag.

Continue to Kit Preparation

KIT PREPARATION

2003-2004

1. Unclip and remove the trim panel surrounding the radio.
2. Remove (6) Torx T10 screws securing the radio to the radio assembly sub-dash, then remove the radio.
3. Cut the sub-dash to allow room for the aftermarket radio. (Figure A)
4. Attach the (4) panel clips provided onto the radio trim panel.



(Figure A)

2005-2012

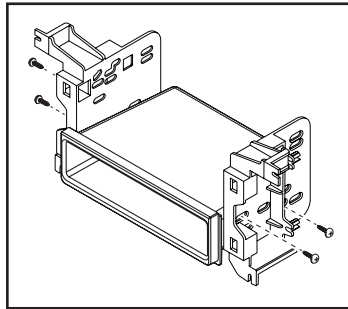
1. Remove (4) Torx T20 screws securing the radio to the radio assembly sub-dash, then remove the radio.
2. Attach the (4) panel clips provided onto the radio trim panel.

Continue to Kit Assembly

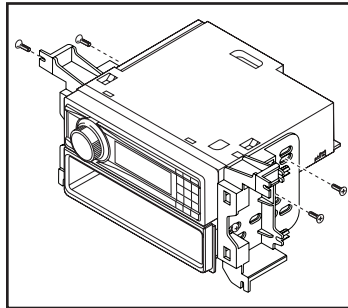
KIT ASSEMBLY

ISO DIN radio provision with pocket

1. Secure the *pocket* to the *radio brackets* using (4) #8 x 3/8" Phillips screws provided. (Figure A)
2. Remove the metal DIN sleeve and trim ring from the aftermarket radio.
3. Slide the radio into the bracket/pocket assembly, and then secure it using the screws supplied with the radio. (Figure B)



(Figure A)



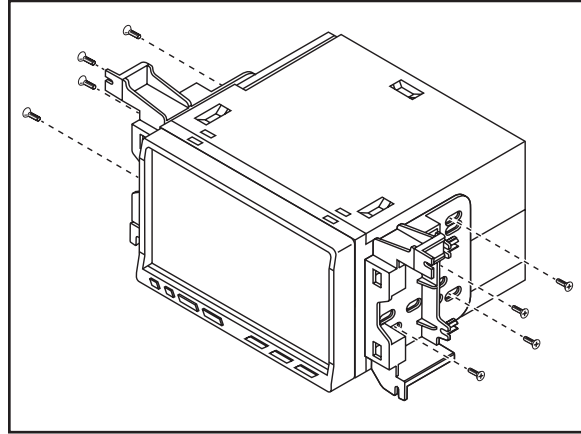
(Figure B)

4. Secure the radio to the factory radio assembly sub-dash:
 - a. **2003-2004:** Slide the radio into the sub-dash and then secure using (4) of the factory Torx T10 screws removed in Kit Preparation.
 - b. **2005-2012:** Slide the radio into the sub-dash. Place one of the *radio bracket adapters* onto the back of the sub-dash, and then secure it to the *radio brackets* using the (2) #8 x 1/2" Phillips screws provided. Repeat for the other side.
5. Locate the factory wiring harness and antenna connector in the dash and complete all necessary connections to the radio. Metra recommends using the proper mating adapter from Metra and/or Axxess. Test the radio for proper operation.
6. Clip the *radio trim panel* into the factory radio assembly, then reassemble the dash in the reverse order of disassembly to complete the installation.

KIT ASSEMBLY

ISO DDIN radio provision

1. Secure the *radio brackets* to the radio using the screws supplied with the radio. (Figure A)
2. Secure the radio to the factory radio assembly sub-dash:
 - a. **2003-2004:** Slide the radio into the sub-dash and then secure using (4) of the factory Torx T10 screws removed in Kit Preparation.
 - b. **2005-2012:** Slide the radio into the sub-dash. Place one of the *radio bracket adapters* onto the back of the sub-dash, and then secure it to the *radio brackets* using the (2) #8 x 1/2" Phillips screws provided. Repeat for the other side.
3. Locate the factory wiring harness and antenna connector in the dash and complete all necessary connections to the radio. Metra recommends using the proper mating adapter from Metra and/or Axxess. Test the radio for proper operation.
4. Clip the *radio trim panel* into the factory radio assembly, then reassemble the dash in the reverse order of disassembly to complete the installation.



(Figure A)



99-9402B
INSTALLATION INSTRUCTIONS



If you are having difficulties with the installation of this product, contact our Tech Support line either by phone at **386-257-1187**, or email at **techsupport@metra-autosound.com**. Before doing so, look over the instruction booklet a second time and ensure that the installation was performed exactly as the instruction booklet is stated. Have the vehicle apart and ready to perform troubleshooting steps before contacting Metra/Axxess Tech Support.



KNOWLEDGE IS POWER

Enhance your installation and fabrication skills by enrolling in the most recognized and respected mobile electronics school in our industry. Log onto www.installerinstitute.com or call 800-354-6782 for more information and take steps toward a better tomorrow.



**Metra recommends MECP
certified technicians**