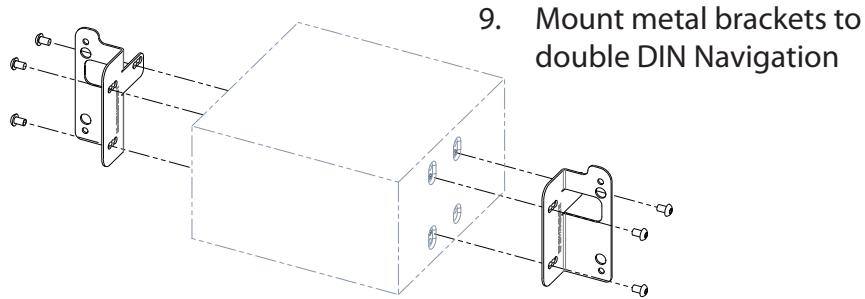


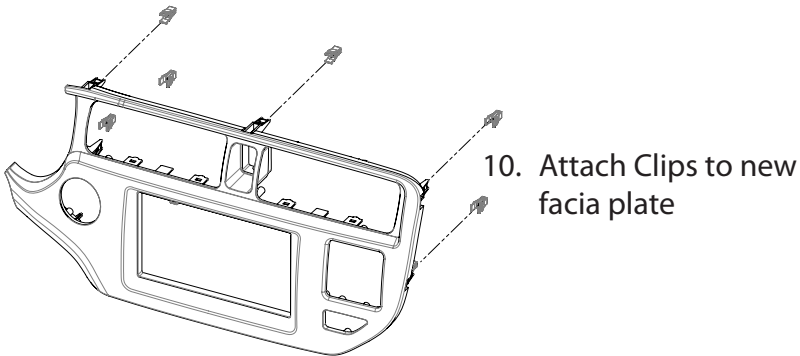


# Installation Manual Double DIN Kit

anthracite: 381178-29-1  
black: 381178-29-2



9. Mount metal brackets to double DIN Navigation



10. Attach Clips to new fascia plate



11. Connect all required circuit points of double DIN head unit

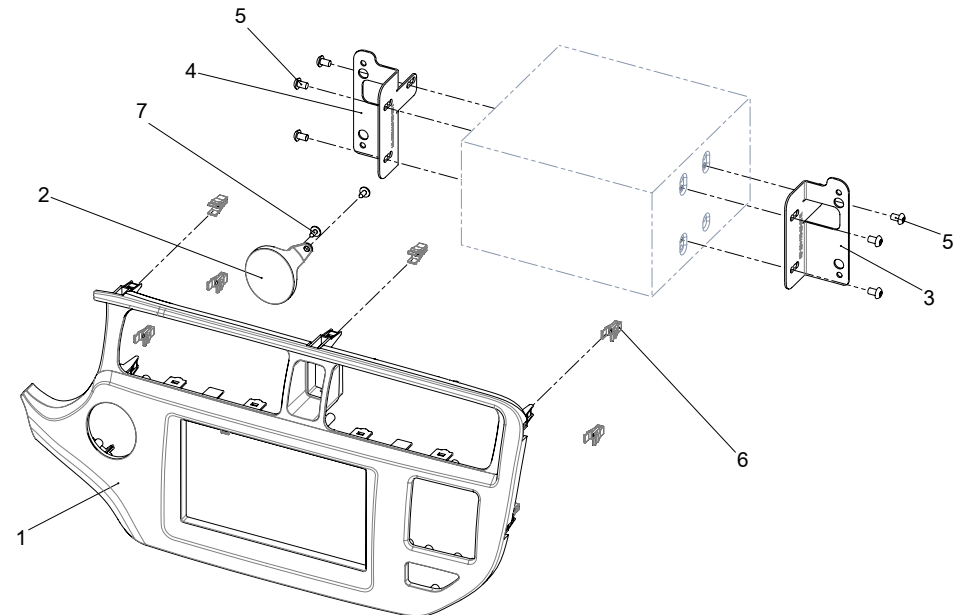
Fix double DIN head unit with 4 screws

Re-install everything in reverse order to finish installation

## • Kia Rio 2011->

Compatible with these Double-DIN devices:

### Double-DIN Navigation



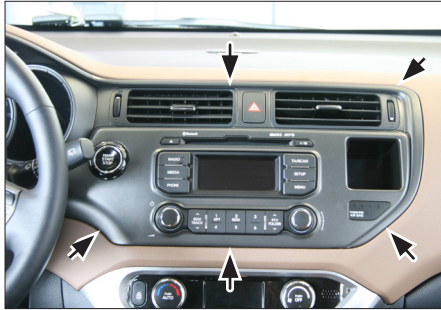
#### Double DIN Set contents

- (1) Facia Plate
- (2) Cover\*

\*(for models without engine start/stop button)

- (3) Mounting bracket (L)
- (4) Mounting bracket (R)
- (5) flat headed screw
- (6) Clip

# Installation Manual Double DIN Kit



1. Unclip OEM panel (see arrows)



2. Remove panel



3. These parts need to be removed from OEM panel:

- hazard light switch (1)
- air vents (left / right) (2)
- passenger air bag switch (3)



4. Remove hazard light switch



5. Remove air vents



6. Remove passenger air bag switch



7. Models with start/stop:  
Remove start / stop button  
Mount start / stop button  
to new facia plate

Models without start/stop  
Attach cover to facia plate



8. Mount  
- hazard light switch  
- air vents (left / right)  
- passenger air bag switch  
to new facia place