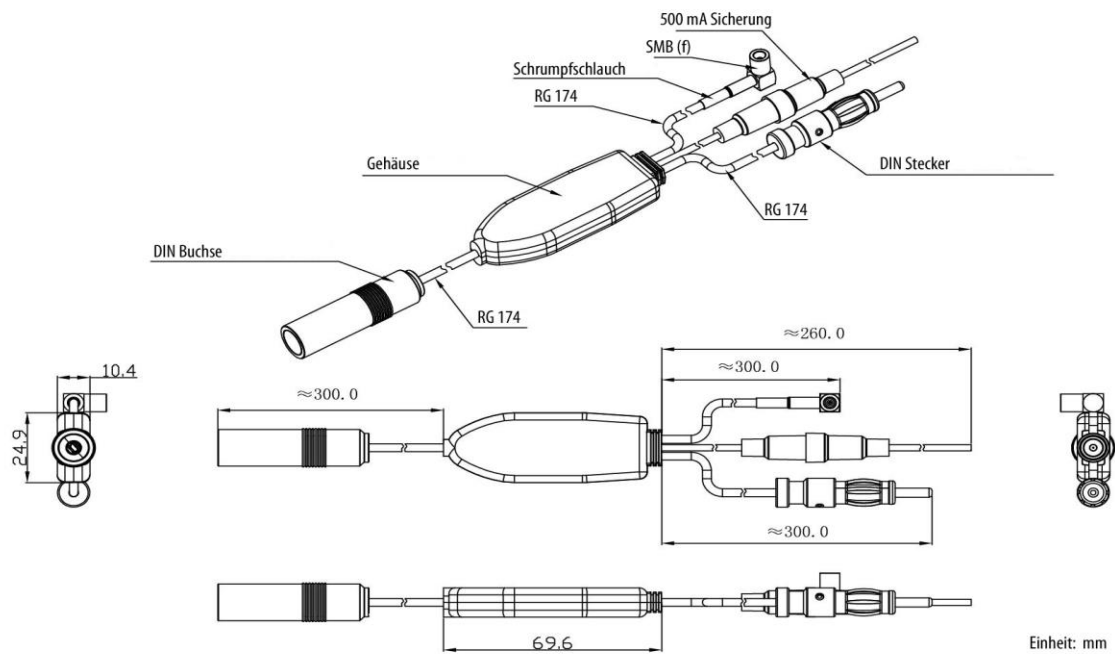


## Car Radio Antennen-DAB-Splitter 151000-30



### DIMENSIONEN



## SPEZIFIKATIONEN

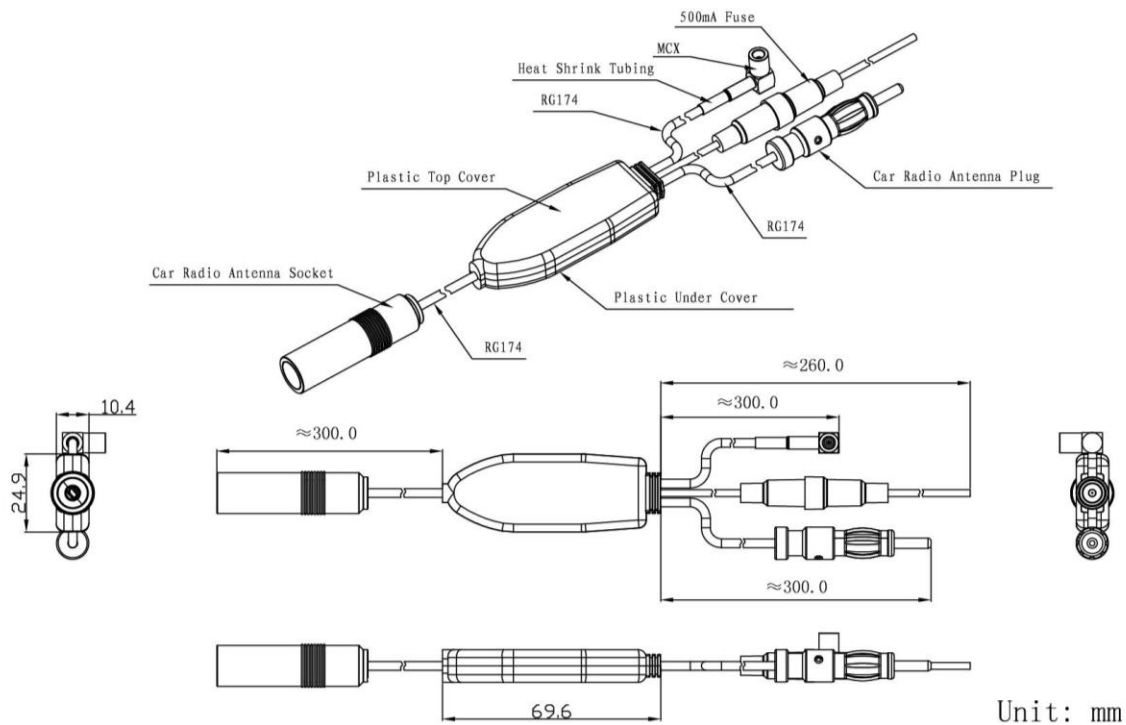
|  |                     | Spezifikationen  |
|--|---------------------|--|
|  | Frequenzbereich     | 525~1605KHz/88~108MHz/174~237MHz                                 |
|  | Band                | AM / FM / DAB B III  |
|  | Impedanz            | 50 $\Omega$  |
|  | Verstärkung / Gain  | AM/FM:10 $\pm$ 2dB DAB:20 $\pm$ 2dB                              |
|  | V.S.W.R             | <2.0   |
|  | Rauschwert          | <3.0   |
|  | Versorgungsspannung | 9~24V DC   |
|  | Stromaufnahme       | 26~28mA  |
|  | Kabel               | RG174  |
|  | Sicherung           | 500mA  |
|  | PCB                 | FR4  |
|  | Steckerverbindungen | DIN-Plug & Socket (for FM/AM-input)<br>SMB (f) (for DAB+ output) |
|  | Gehäuse             | ABS  |
|  | Arbeitstemperatur   | -40°C ~ +85°C  |
|  | Luftfeuchtigkeit    | Max. 75%   |
|  | Vibration           | 10 to 55Hz with 1.5mm amplitude 2hours                           |
|  | Umweltspezifikation | ROHS Compliant   |

**Bitte schließen Sie das rote Kabel für die Stromversorgung des Antennensplitters an Klemme 15 (Zündungsplus) des Fahrzeuges oder an das Antennenremote des Nachrüstgerätes an.**

## Car Radio Antenna DAB Splitter 151000-30



### DIMENSIONS



## SPECIFICATIONS

| Item          | Specifications           |  |
|---------------|--------------------------|--|
| Amplifier     | Frequency Range          | 525~1605KHz/88~108MHz/174~237MHz                                 |
|               | Wave Band                | AM/FM/DAB BIII   |
|               | Impedance                | 50 $\Omega$  |
|               | Gain                     | AM/FM:10 $\pm$ 2dB DAB:20 $\pm$ 2dB                              |
|               | V.S.W.R                  | <2.0   |
|               | Noise Figure             | <3.0   |
|               | Supply Voltage           | 9~24V DC   |
|               | Current Consumption      | 26~28mA  |
| Mechanical    | Cable                    | RG174  |
|               | Fuse                     | 500mA  |
|               | PCB                      | FR4  |
|               | Connector                | DIN-Plug & Socket (for FM/AM-input)<br>SMB (f) (for DAB+ output) |
|               | Plastic Housing          | ABS  |
| Environmental | Operating Temperature    | -40°C ~ +85°C  |
|               | Relative Humidity        | Up to 75%  |
|               | Vibration                | 10 to 55Hz with 1.5mm amplitude 2hours                           |
|               | Environmentally Friendly | ROHS Compliant   |

**Please make sure to connect the red wire either to the ignition (clamp 15) of the car or to the antenna remote output of the aftermarket headunit.**